

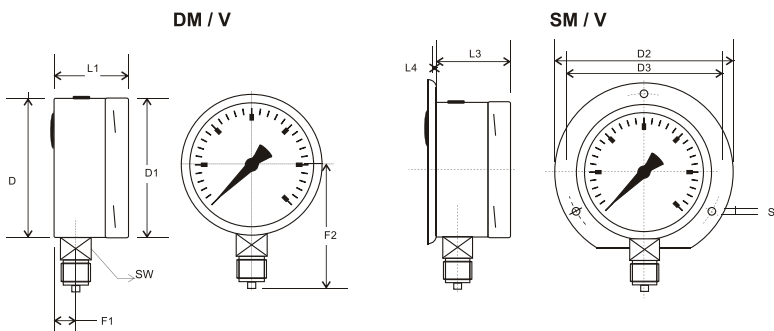


Process Gauges

Marsh instruments process gauges are manufactured for industrial use and are suitable for gaseous and liquid media that will not obstruct the pressure system. They are manufactured using a heavy duty 304 stainless cases and a bayonet lock bezel.

The instruments can be filled to dampen the effect of vibration and are suitable for use in various applications such as Petrochemical, Chemical, Food and Beverages.

Specifications	
Standards	Generally to EN 837-1
Case Size	100mm / 160mm and 250mm
Construction	Brass and Stainless internals
Entry	See Table
Connection	Bottom or Bottom Back
Range	See Table
Dial Standard	PSIG / BAR
Window	Glass Std - Acrylic available
Temp specs	- 40 + 60 degrees C
Accuracy	1 % Std 0.60% available



	DM/V, SM/V										
	D	D1	D2	D3	L1	L3	L4	F1	F2	S1	SW
63											
100	99	101	132	118	52	58	5.5	15	90	5.5	22
160	159	161	192	178	52	58	5.5	15	119	6	22
250	250	253	289	276	55	58	3.0	16	164	6.5	22

- 100/160/250mm Available
- Heavy duty with Bayonet Lock Bezel
- Dry or Filled
- Ranges Vacuum to 1000 BAR Available

Process Gauges	
↑	Construction
33	All ST/ST
93	Brass
99	Steel
38	All ST/ST F. S. P.
	Mounting
1	Bottom
4	Surface
6	Back
8	3 Hole Pane Mtg.
	Connection Size
E	3/8" BSP
G	1/2" BSP
J	1/2" NPT
P	3/8" NPT
	Range PSI / BAR
00	Special Range
01	Vacuum
18	15 PSI / 1 BAR
20	30 PSI / 2 BAR
21	60 PSI / 4 BAR
22	100 PSI / 7 BAR
23	160 PSI / 11 BAR
24	200 PSI / 14 BAR
25	300 PSI / 20 BAR
26	400 PSI / 27 BAR
27	600 PSI / 40 BAR
28	800 PSI / 55 BAR
29	1000 PSI / 70 BAR
30	1500 PSI / 100 BAR
31	2000 PSI / 140 BAR
32	3000 PSI / 200 BAR
33	4000 PSI / 275 BAR
34	5000 PSI / 344 BAR
35	6000 PSI / 413 BAR
36	10,000 PSI / 690 BAR
	Case Diameter
H	80 mm / 3"
J	100 mm / 4"
K	160 mm / 6"
	Special Requirements
P	Glycerine Filled

Some configurations may not be possible, please consult factory.