

MARSH®



Bimetal Thermometer

Description

Stainless steel bi-metal industrial dial thermometer
Model SBT/V SBT/B

According to BS EN 13190 Nominal sizes, 63, 100, 160 and 250 mm Accuracy: Class 1

Features

- Rugged stainless steel case construction
- Bayonet locking case and bezel
- Protection to IP65
- Usable over 90% of I scale
- Bimetal coiled element
- Over-range protection 130% (max 500 deg C)

Ranges

From -60 to + 500 deg C.

Applications

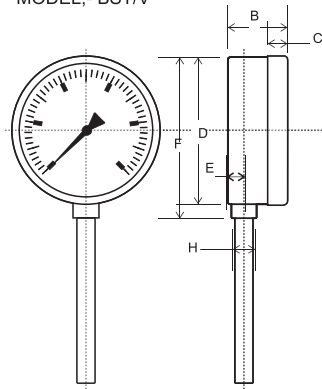
- Heating and ventilation industry
- Machine and apparatus construction

	D	D1	B	C	D	E	F	G	H
63									
100	40	4	47	6	47	30	15	90	40
160	40	4	47	6	47	30	15	119	40
250	40	7	49	6	49	31	16	164	40

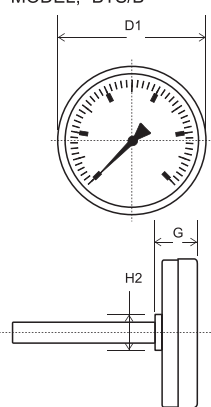
Specifications:	SBT/V	SBT/B		
Dial Size	63	100	160	250
Construction	Flush fitting bayonet locking case and bezel.			
Measuring Element	Bimetallic Coil			
Ranges {deg C}	See table SBT			
Over-range limit	130% full scale....short periods. (Max 500 deg C)			
Material Construction				
Stem / Bulb	316 Stainless Steel			
Stem / Bulb dia (mm)	6, 8, 10, 12 mm. 1/4, 3/8, 1/2 in....max length. 800mm			
Case / Bezel ring	Stainless steel AISI 316L			
Window	Glass and Acrylic			
Dial	Aluminium, black figures on white...optional... steel...other colours			
Pointer	Aluminium, black,...optional...micro adjustment,... steel			
Movement	Direct drive on back entry. Copper flat wire spring on bottom entry			
Accuracy	Class 1 (1% F.S.D.)			
Permissible Ambient Temperature	+10, +30 Degree C			
Protection	Max. 0,3% / 10 Deg C			
Filling Liquid	EN 60 529 IP65			
Mountings	Silicone (SI)			
Weight dry / filled {kg}	Direct bottom, direct centre back			
Accessories	0.8 / 1.0	1.4 / 2.3	1.9 / 2.6	2.3 / 4.2
	Index pointers, Fitting, Thermowell			

All specifications are subject to change without notice

MODEL:- BST/V



MODEL:- BTS/B



Minimum Stem Lengths

Stem	Range C°	60	80	100	120	160	200	250	300	400	500
6mm		65	100	100	65	65	65	65	65	65	65
8mm		65	100	100	65	65	65	65	65	65	65
10mm		100	100	100	65	65	65	65	65	65	65
12mm		100	n/a	n/a	65	65	65	65	n/a	65	n/a
1/4 in.		65	100	100	65	65	65	65	65	65	65
3/8 in.		100	100	100	65	65	65	65	65	65	65
1/2 in.		100	n/a	n/a	65	65	65	65	n/a	65	n/a

MARSH BELLOFRAM®
Group of Companies

9 Castle Park Queens Drive, Nottingham NG2 1AH England

Tel: (44) 115 993 3300 • Fax: (44) 115 993 3301 • e-mail: bellofram@aol.com • www.marshbellofram.com

LTUK09012