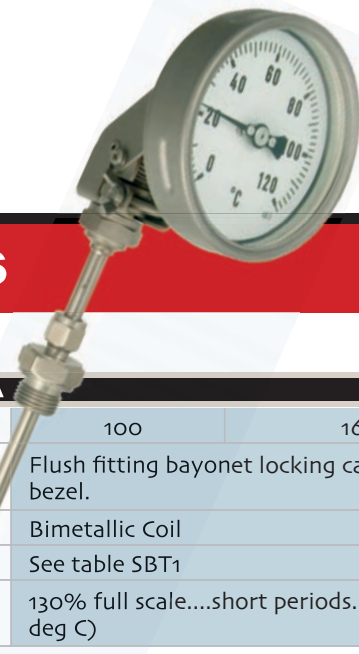


# MARSH®

## Any Angle Thermometers



### Description

According to BS EN 13190  
Nominal sizes, 100 and 160 mm  
Accuracy: Class 1

### Features

Rugged stainless steel case construction  
Bayonet locking case and bezel  
Protection to IP65  
Usable over 90% of I scale  
Bimetal coiled element  
Over-range protection 130%  
(max 500 deg C)  
From -60 to + 500 deg C.

### Applications

Heating and ventilation industry  
Machine and apparatus construction

### Specifications: SBT/AA

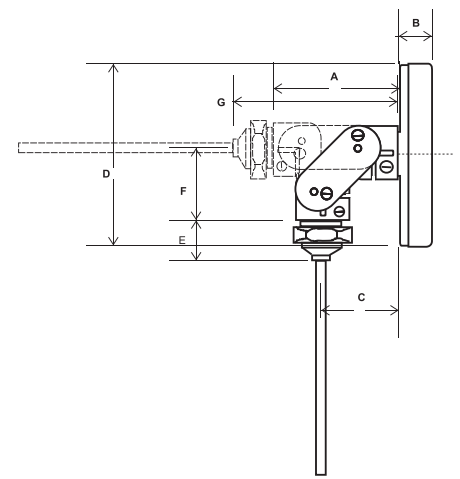
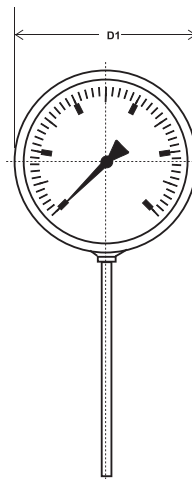
|                              |   |           |
|------------------------------|---|-----------|
| Dial Size                    | 100   | 160       |
| Construction                 | Flush fitting bayonet locking case and bezel.                       |           |
| Measuring Element            | Bimetallic Coil   |           |
| Ranges {deg C}               | See table SBT1  |           |
| Over-range limit             | 130% full scale....short periods. (Max 500 deg C)                   |           |
| <b>Material Construction</b> |   |           |
| Stem / Bulb                  | 316 Stainless Steel   |           |
| Stem / Bulb dia (mm)         | 6, 8, 10, 12 mm. 1/4, 3/8, 1/2 in. max length. 800mm                |           |
| Case / Bezel ring            | Stainless steel AISI 316L   |           |
| Window                       | Instrument glass standard, limited safety glass or acrylic optional |           |
| Dial                         | Aluminium, black figures on white... optional, steel, other colours |           |
| Pointer                      | Aluminium, black, optional micro adjustment, steel                  |           |
| Movement                     | Stainless flat wire spring in a 304 stainless flexible.             |           |
| Accuracy                     | Class 1 (1% F.S.D.)   |           |
| Permissible                  | Degree C  |           |
| Ambient Temp.                | +10 +30   |           |
| Temperature Effect           | Max. 0,3% / 10 Deg C  |           |
| Protection                   | EN 60 529 IP65  |           |
| Filling Liquid               | Silicone (SI)   |           |
| Mountings                    | Fully adjustable and rotatable thru 90 degrees.                     |           |
| Weight dry / filled {kg}     | 1.1 / 1.4   | 1.3 / 1.9 |
| Accessories                  | Index pointers, Fitting, Thermowell                                 |           |

|     | D   | D1  | A  | B  | C  | E  | F  | G   |
|-----|-----|-----|----|----|----|----|----|-----|
| 63  |     |     |    |    |    |    |    |     |
| 100 | 99  | 101 | 80 | 28 | 50 | 20 | 45 | 100 |
| 160 | 158 | 158 | 80 | 28 | 50 | 20 | 45 | 100 |

All specifications are subject to change without notice

### Minimum Stem Lengths

| Stem    | Range C° |     |     |     |     |     |     |     |     |     |  |
|---------|----------|-----|-----|-----|-----|-----|-----|-----|-----|-----|--|
|         | 60       | 80  | 100 | 120 | 160 | 200 | 250 | 300 | 400 | 500 |  |
| 6mm     | 100      | 100 | 100 | 65  | 65  | 65  | 65  | 65  | 65  | 65  |  |
| 8mm     | 100      | 100 | 100 | 65  | 65  | 65  | 65  | 65  | 65  | 65  |  |
| 10mm    | 100      | 100 | 100 | 65  | 65  | 65  | 65  | 65  | 65  | 65  |  |
| 12mm    | 100      | n/a | n/a | 65  | 65  | 65  | 65  | n/a | 65  | n/a |  |
| 1/4 in. | 100      | 100 | 100 | 65  | 65  | 65  | 65  | 65  | 65  | 65  |  |
| 3/8 in. | 100      | 100 | 100 | 65  | 65  | 65  | 65  | 65  | 65  | 65  |  |
| 1/2 in. | 100      | n/a | n/a | 65  | 65  | 65  | 65  | n/a | 65  | n/a |  |



**MARSH BELLOFRAM®**  
Group of Companies

9 Castle Park Queens Drive, Nottingham NG2 1AH England

Tel: (44) 115 993 3300 • Fax: (44) 115 993 3301 • e-mail: bellofram@aol.com • www.marshbellofram.com

LTUK09013